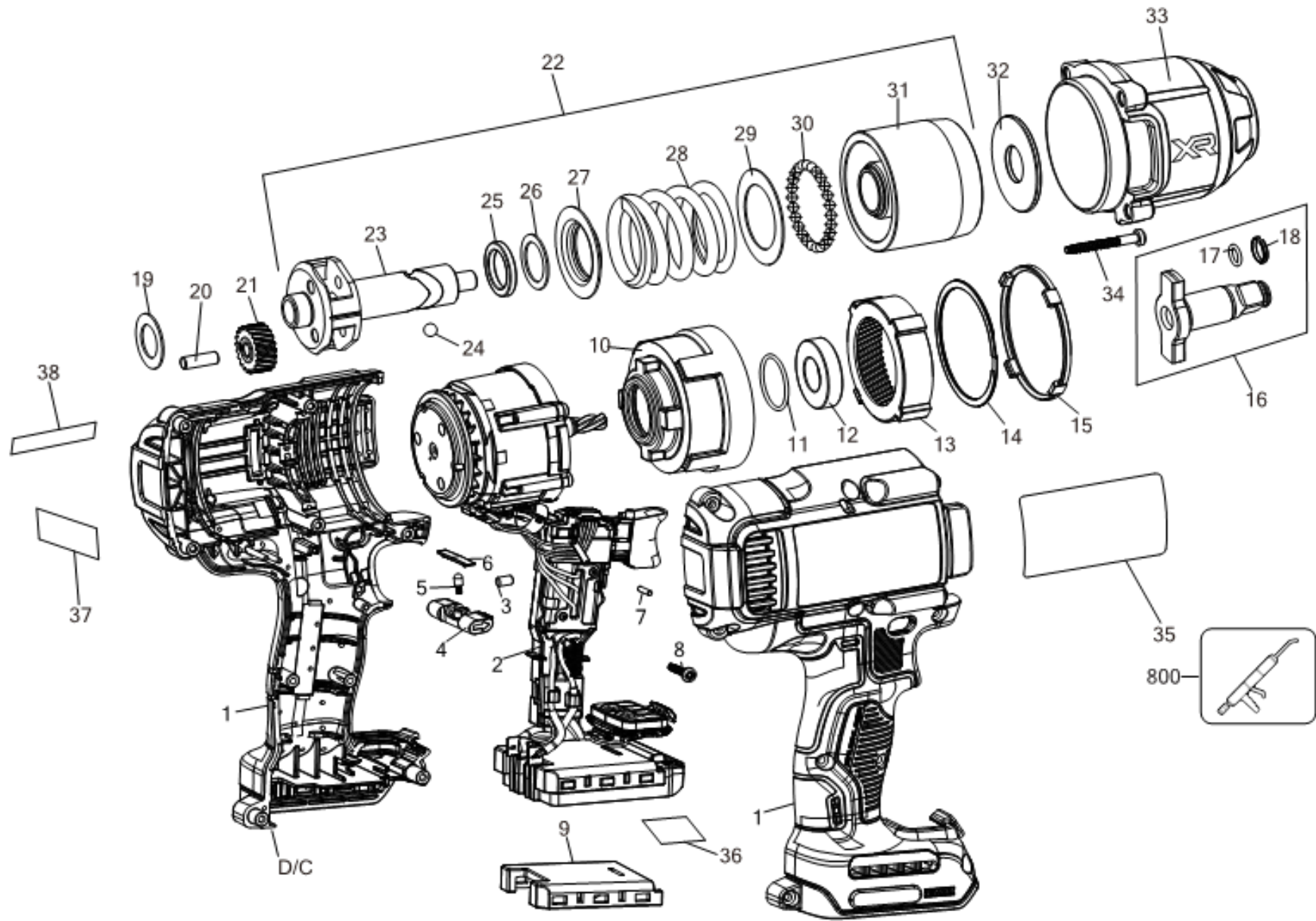


DCF900N IMPACT WRENCH 1



Parts List DCF900N IMPACT WRENCH 1

Item	Part Number	Qty	Part Description	General Description	Other Info	Repair Inst	Markets
1	NA100738	1	CLAMSHELL SET			No	XJ
2	NA039647	1	MOTOR SA			No	XJ
3	N186764	4	RUBBER PAD			No	XJ
4	N137055	1	ACTUATOR FWD/REV			No	XJ
5	N403227	1	DETENT			No	XJ
6	N419514	1	DETENT	FWD/REV		No	XJ
7	N071836	1	ROLL PIN			No	XJ
8	330019-04	9	SCREW			No	XJ
9	NA066209	1	RUBBER SEAL		RUBBER	No	XJ
10	N363283	1	GEARCASE		ISOLATOR	No	XJ
11	N411414	1	O RING			No	XJ
12	N158641	1	BEARING			No	XJ
13	N470304	1	GEAR	RING GEAR		No	XJ
14	N389400	1	RING			No	XJ
15	N410641	1	SEAL			No	XJ
16	NA039663	1	ANVIL ASSEMBLY	1/2" HOG RING	1/2" HOG	No	XJ
17	050056-00	1	O RING		RING	No	XJ
18	086947-00	1	CIRCLIP			No	XJ
19	N114027	1	WASHER			No	XJ
20	N194994	3	PIN			No	XJ
21	N389396	3	GEAR			No	XJ
22	NA039655	1	IMPACTOR		SA	No	XJ
23	NA024756	1	CARRIER		MECHANIS CAM	No	XJ
24	618844-00	2	BALL STEEL		M CARRIER	No	XJ
25	NA080785	1	BUMPER			No	XJ
26	NA080787	1	WASHER			No	XJ
27	NA080788	1	WASHER		CENTERIN	No	XJ
28	N827324	1	SPRING		G WASHER	No	XJ
29	N377515	1	WASHER THRUST			No	XJ
30	000475-00	27	BALL STEEL			No	XJ
31	NA024757	1	IMPACTOR			No	XJ
32	N735836	1	WASHER			No	XJ

Parts List DCF900N IMPACT WRENCH 1

Item	Part Number	Qty	Part Description	General Description	Other Info	Repair Inst	Markets
33	NA163451	1	NOSE SA		SA	No	XJ
34	NA002385	4	SCREW		NOSECONE M4 X 38	No	XJ
35	NA005586	1	RATING PLATE	EURO	T20 EURO	No	XJ
36	NA005587	1	LABEL	FOOT QR	FOOT QR	No	XJ
37	NA013335	1	LABEL	BRUSHLESS	BRUSHLES	No	XJ
38	NA018894	1	BRAND LABEL	18V XR	S 18V XR	No	XJ
800	N017298	1	GREASE	G-2008 Molykote		No	XJ